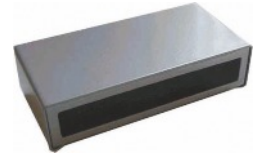


CodeSet 706 - PHILIPS RC6



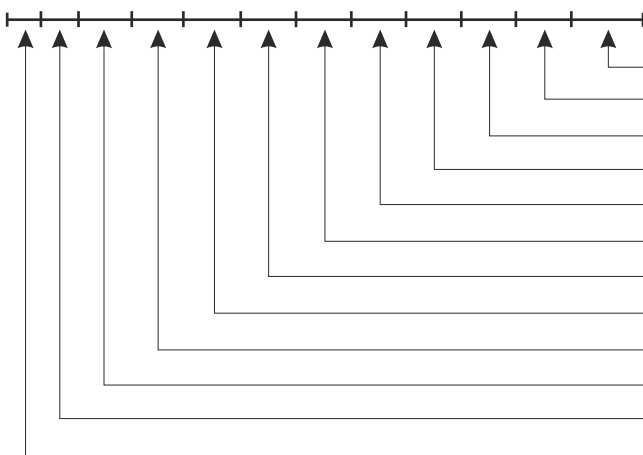
See: Command 039



See our protocol.

Transmitting codeset 706 (IR codes) from a computer.

0100039706<1><2><3><4><5><6><7>CHK



- CHK = Checksum (3-digits)
- <7> = Parameter 7 (Repeat)
- <6> = Parameter 6 (3-digits, number of bits)
- <5> = Parameter 5 (3-digits, variant)
- <4> = Parameter 4 (3-digits)
- <3> = Parameter 3 (3-digits)
- <2> = Parameter 2 (3-digits)
- <1> = Parameter 1 (3-digits)
- 706 = CodeSet (706 = RC6)
- 039 = Command 039 (DoAction)
- 00 = FromAddress, 00 = computer
- 01 = ToAddress, 01 = products address

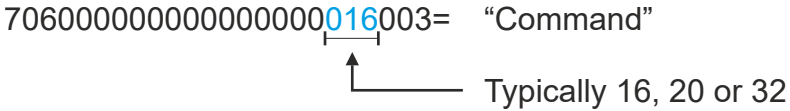
Receiving codeset 706 by RS232

000170600600000000003202000091

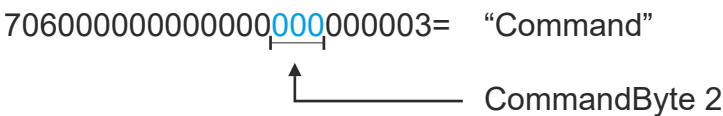
- Red = ToAddress (00) and FromAddress (01)
- Blue = codeset 706 detected code
- Black = CheckSum

CodeSet 706

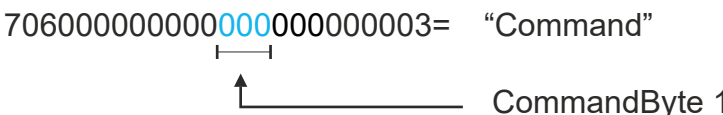
CodeSet 706's parameter 6 is the number of bits



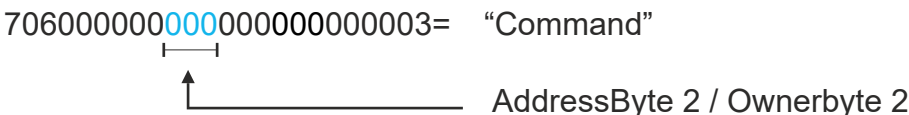
CodeSet 706's parameter 5 specifies CommandByte 2.



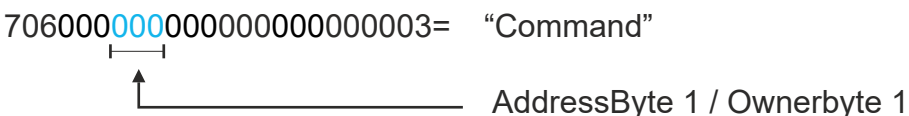
CodeSet 706's parameter 4 specifies CommandByte 1.



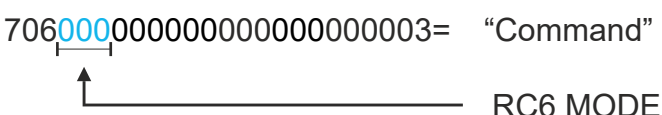
CodeSet 706's parameter 3 specifies the AddressByte 2.



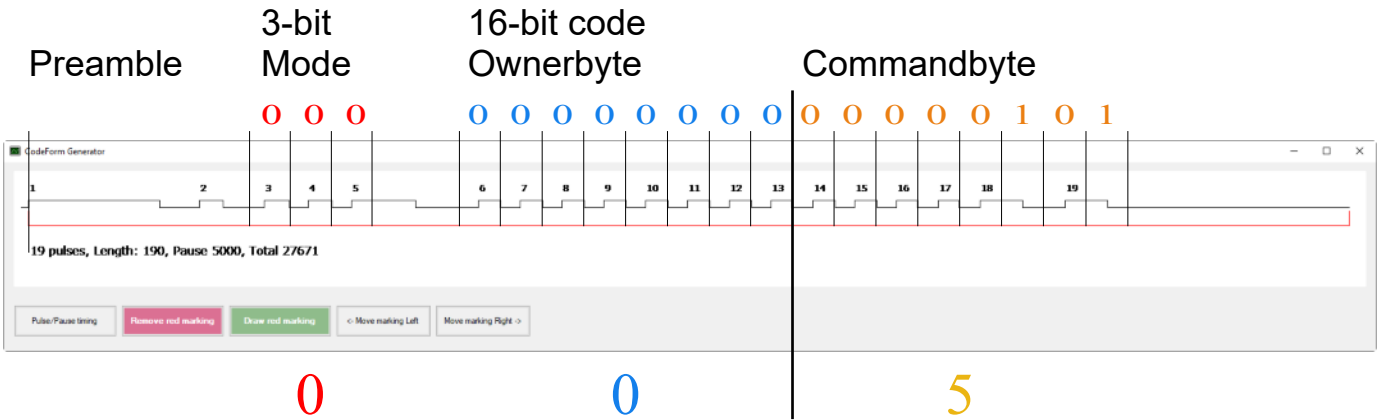
CodeSet 706's parameter 2 specifies the AddressByte 1.



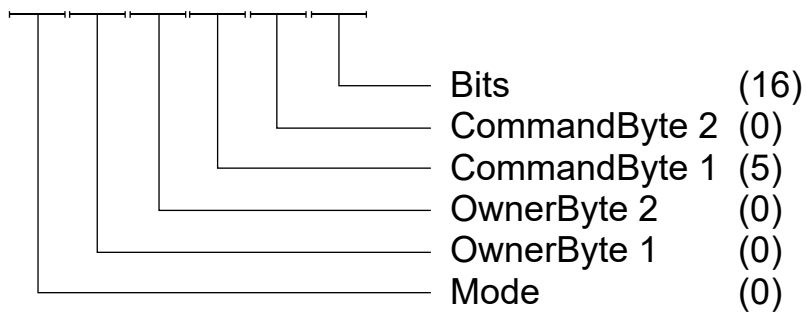
CodeSet 706's parameter 1 specifies the RC6 mode.



16 bit code



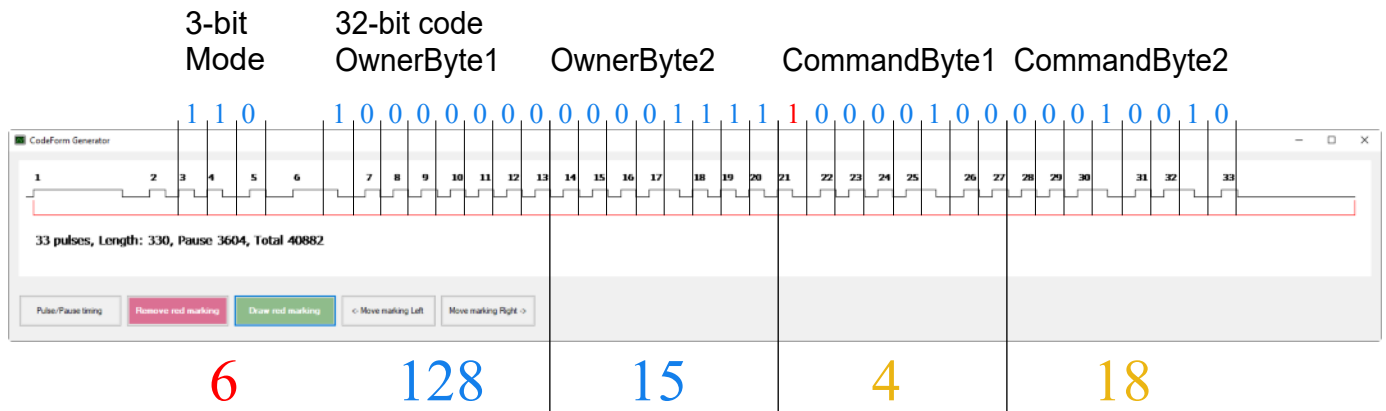
Decodes to: 70600000000000050000016003



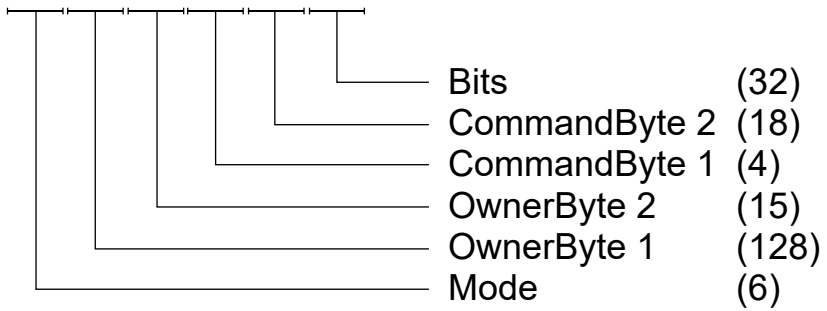
A 16 bit code will hold Mode, OwnerByte 1 and Commandbyte 1.

Rest will always be 000.

32 bit code



Decodes to: 706006128015004018032003



A 32 bit code will hold Mode, OwnerByte 1, OwnerByte 2, Commandbyte 1 and Commandbyte 2.

Bit 17 is a toggle bit, changing on every new transmitted code.