

LinTronic

**SAMSUNG TV
RS232**

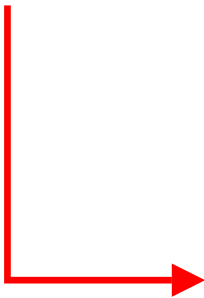


LS03 series - The Frame



EX-LINK
connector
can be set
to work as
an RS232 port.

ONE CONNECT



3.5 mm jack
stereo connector



LS03 series - The Frame

In order to enable the EX-LINK port as an RS232 UART, do this:

Turn the TV OFF by the remote.

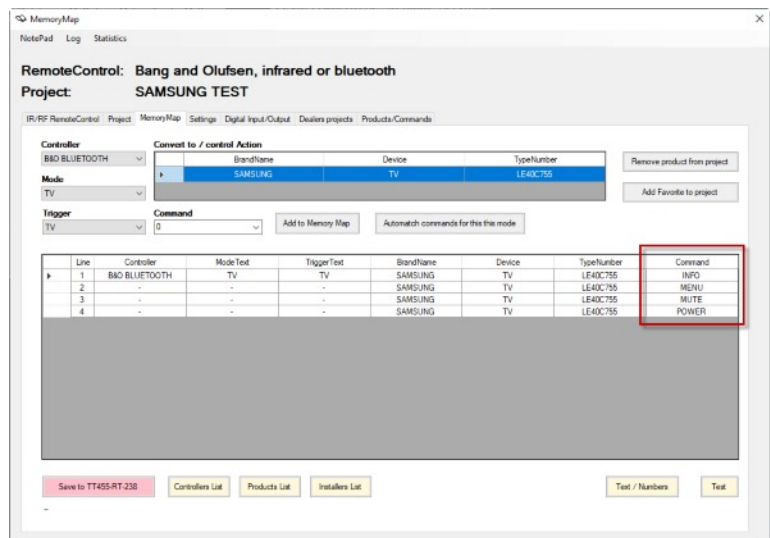
With an infrared remote, click: INFO MENU MUTE POWER

If you do not have a Samsung IR remote, then create a project in the Configurators Memory Map using a suitable TV (LE40C755) and test these commands:

The TV will start up in service mode.

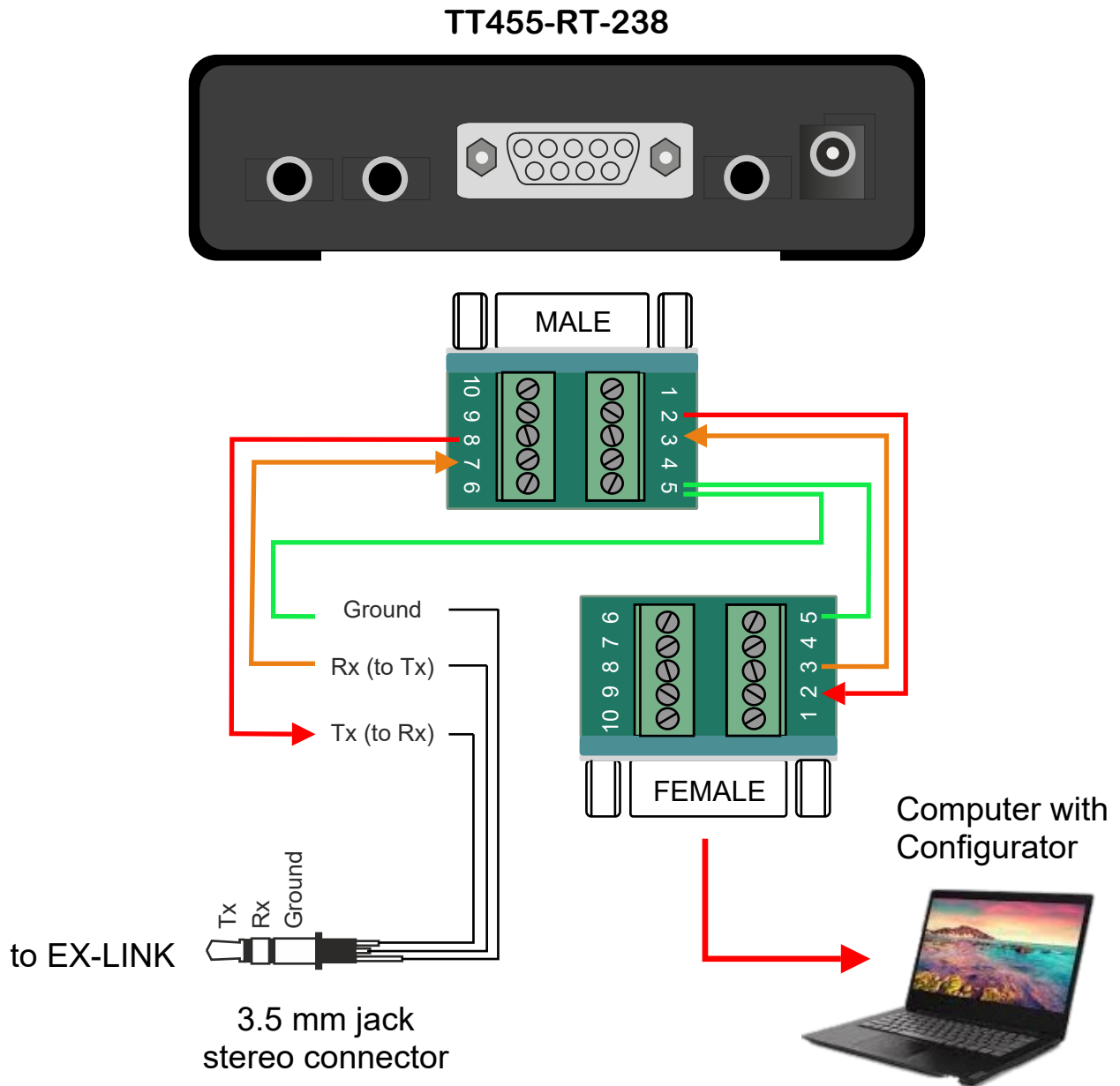
Goto: Control
Goto Sub option

Ensure that:
RS232 Jack is set to UART
EXT LIN support is ON
USB serial is ON



LS03 series - The Frame

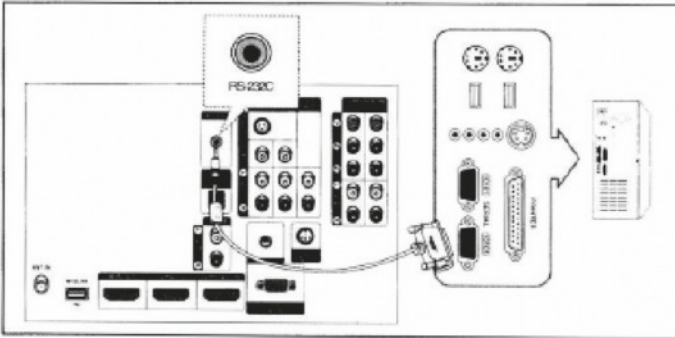
This is our test setup



Send RS232 commands from this product on TT455-RT-238 comport 1:
<http://lintronic.dk/supportedproducts.aspx?AudioVideoID=1299>

Older TV's

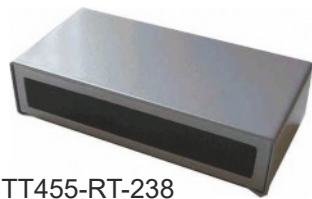
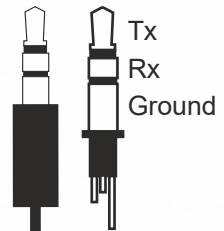
Connect the DLP DTV using the serial port.



- ⚠ Do not disconnect or connect the RS-232C cable while the Computer or the DLP TV is operating. It may cause serious damage to the Computer or the DLP TV.
- ⚠ If the PC is not properly configured, the RS-232C connection may not work properly. For further details, refer to the Computer's product documentation.

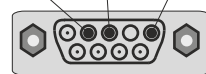
Serial Port Settings (Select Standard RS232)

Specification	RS-232C
Bit Rate	9600 bps
Data Bits	8 bits
Parity	None
Stop Bits	1 bit
Flow Control	None



TT455-RT-238

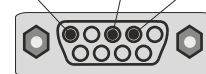
Rx(2)Tx(3) Ground(5)



RS232, 9-pin, Male



Ground(5) Rx(3)Tx(2)



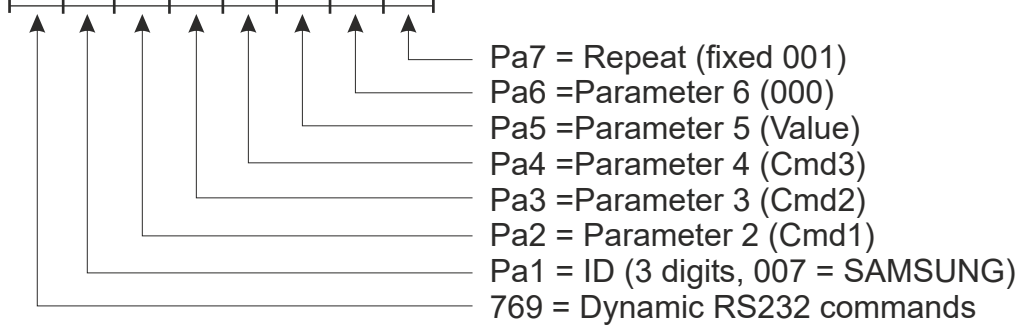
RS232, 9-pin, Female

Customize your SAMSUNG TV RS232 commands

The information (commands) controlling the TT455-RT-238 to send out Samsung RS232 commands, consist of 8 pcs. 3-digit numbers. These commands can be created in the CommandList section of the TT455-RT-238's Configurator.

Structure:

76900700000000000000000001= command



You create commands for your own personal use.
 The commands you create are stored onto your computer for later use/modification.
 The commands cannot be uploaded to our web-database.

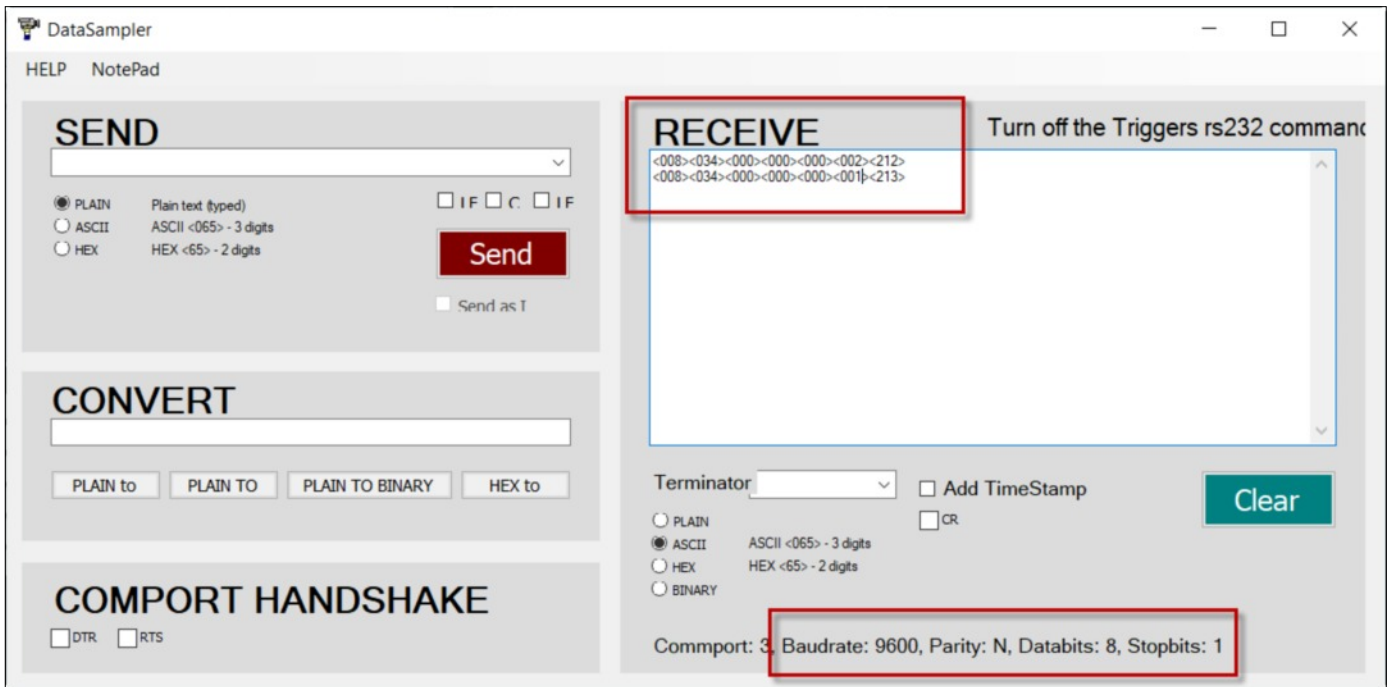
Example:

76900700000000000002000001=POWER ON

Numbers must be converted See more commands from HEX to 3-digit decimal and then inserted in the Command.

in the online doc.

Control Item		Cmd1	Cmd2	Cmd3	Value	
General	Power	Power	0x00	0x00	0x00	
		Off			0x01	
		On			0x02	
	Volume	Direct	0x01	0x00	0x00	(0-100)
		Up			0x01	0x00
		Down			0x02	0x00
Mute	Mute on/off	0x02	0x00	0x00	0x00	
Ch.	Continuous	0x03	0x00	Up	0x00	
				Down	0x02	0x00
Input	Source List	0x0a	0x00	TV	0x00	
				AV	0x01	
				S-Video	0x02	
				Component	Component1	0x00
					Component2	0x01
				PC	0x04	0x00



<008><034><par2><par3><par4><par5><checksum>