

# LinTronic

<http://www.lintronic.dk>

## **CANON PROJECTOR X600**



## **Special notes:**

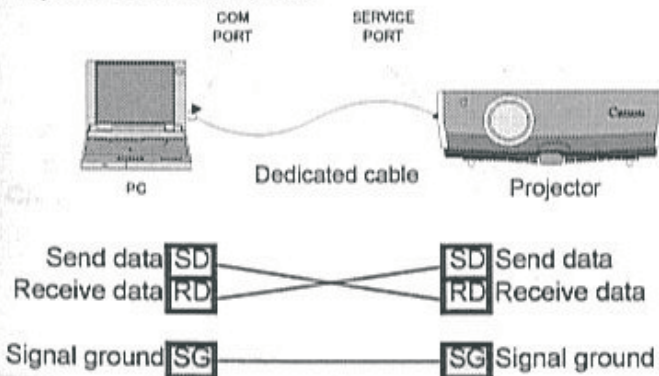
After power is applied the X600 is in LOCAL mode.  
In Local mode you cannot control Power by RS232.

Send command REMOTE to bring X600 into  
REMOTE mode. Then you can control Power.

Baudrate/protocol is:  
19200 bps, n, 8, 2 ( TWO stopbits)

| Item                        | Specifications   |
|-----------------------------|--|
| Communication system        | RS-232-C Start-stop synchronization Semi-duplex communicator   |
| Transmission speed          | 19.2Kbps   |
| Character length            | 8 bits/character   |
| Stop bit                    | 2 bits   |
| Parity                      | None   |
| Transmission format         | Variable-length record with terminal as delimiter  |
| Maximum transmission length | Maximum of 256 characters (bytes) including delimiters   |
| Delimiters                  | Delimiters are one of CR, LF, CR+LF, Null (0) (Delimiters are identified automatically.)<br>Response delimiters are identical to command delimiters.   |
| Transmission codes          | ASCII code (General-purpose characters: 20h to 7Fh), Tab (09h)<br>(Codes other than those above and delimiters are considered "other separator codes")<br>Uppercase and lowercase of alphabetic characters are considered the same character.<br>Double-byte characters and single-byte characters are not distinguished. All are considered single-byte characters. |
| Communication procedure     | No procedure   |
| Flow control                | None   |
| Error control               | None   |
| Break signal                | Not supported  |
| Time out                    | Tc Character interval : 10ms * For the SX50<br>Tr Command/response interval: 10S (Timeout between CR and LF is 10ms.) * For the SX6, SX60 or X600  |

**PC - Projector connection status**



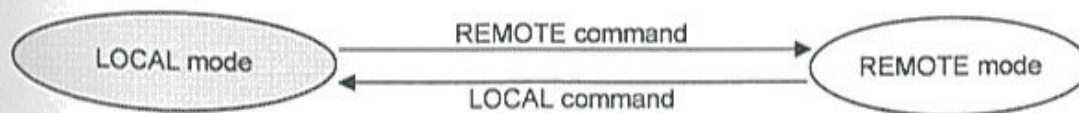
| Item                   | Specifications                                     |
|------------------------|--|
| Connection system      | PC: Connected on a "1:1" basis with the projector  |
| Connection signal line | 3-line connection of SD, RD, and SG                |
| Connection cable       | Dedicated cable<br>The connection diagram is here. |

- ※ In the projector, none of the signal lines except for the three lines of SD, RD and SG are used!
- ※ If necessary, loop back its own signals at the PC side.

The projector has two control modes, the **local mode** and **remote mode**.

Most user commands are used in **REMOTE mode**.

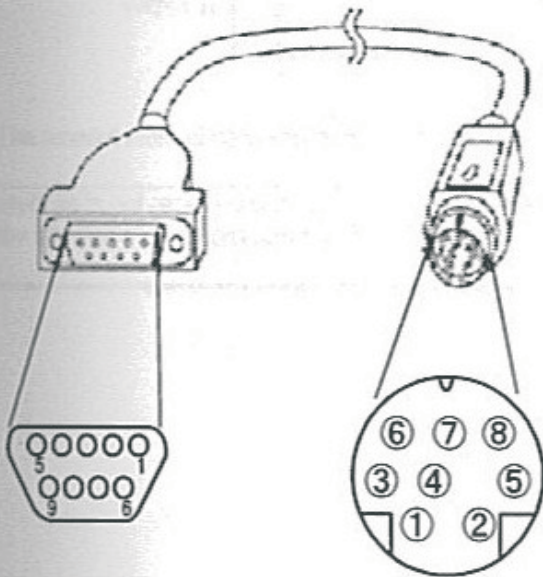
The two modes are set by the **REMOTE** and **LOCAL** commands.



- Initial mode of projector
- The available user commands are limited.

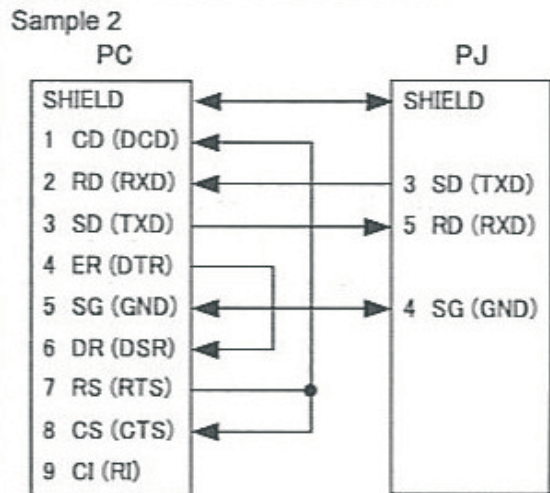
- Except for RC and MAIN, all user commands are available in this mode.
- None of the remote control and main unit panel buttons except for POWER can be used.
- Control is switched to this mode by the REMOTE command.

The connection diagram (example) for the cable connecting the PC and projector is shown below.

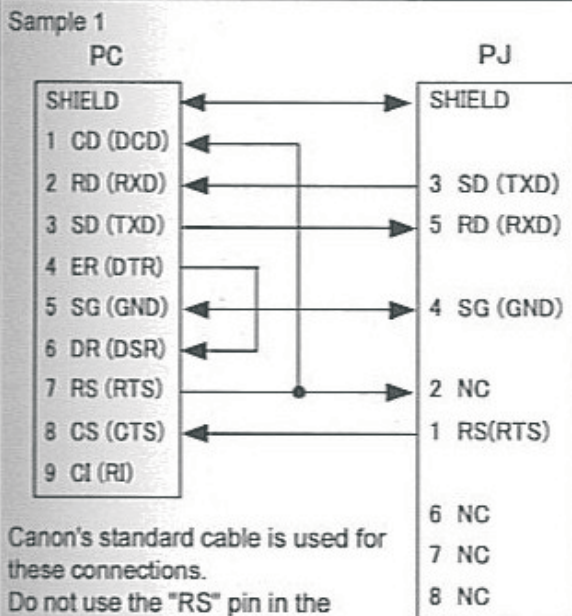


PC  
D-SUB 9pin FEMALE

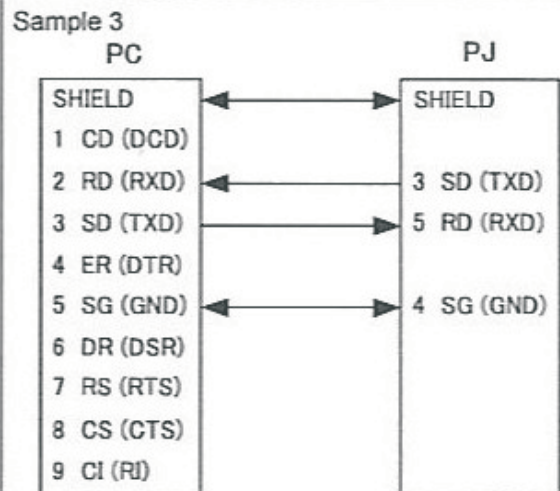
PJ  
MINI DIN 8pin MALE



Example of self-loopback connections when the "CS" and "DR" pins are used in the connector of the PC.



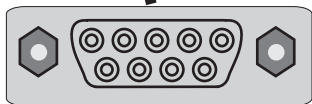
Canon's standard cable is used for these connections.  
Do not use the "RS" pin in the connector of the PC!



Example of minimally required connections.

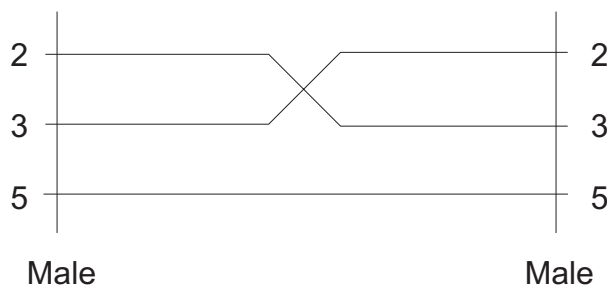


Special cable

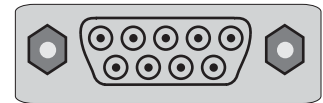


Female

You will need a crossed cable with male connectors in both ends



**Special notes:**  
Baudrate/protocol is:  
19200 bps, n, 8, 2



Insert the DB09 male connector into the TableTop's RS232 connector



In TT455-RT-238's Memory Map, use commands:  
Canon, Projector, RS232 X600