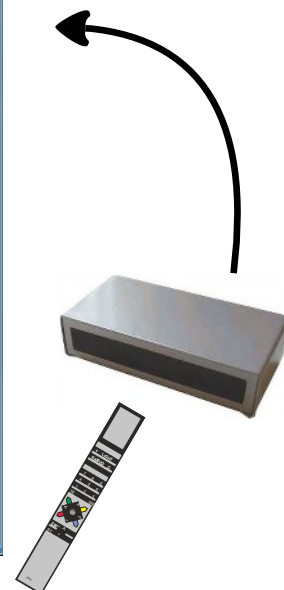
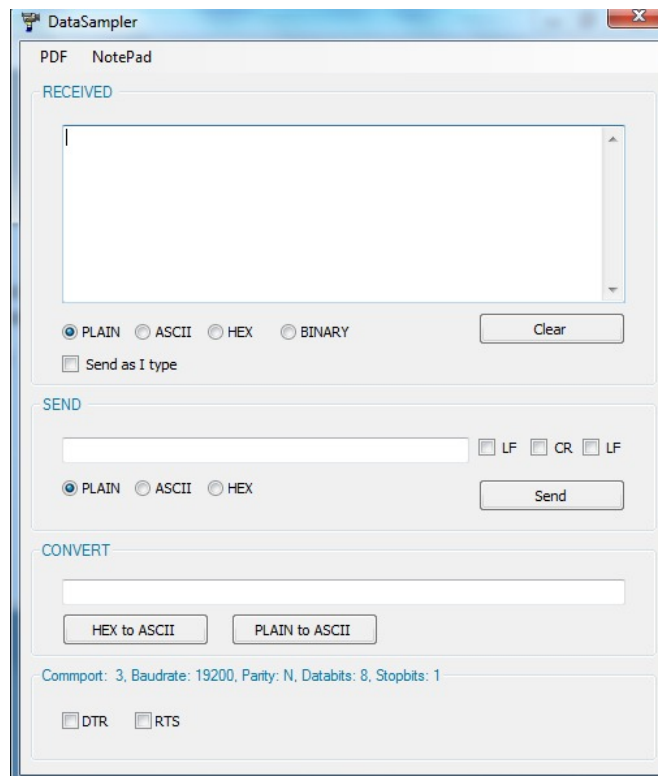


LinTronic

DataSampler



DataSampler is an easy-to-use terminal program for testing/confirming RS232.

Forget about Hyperterminal, which only allows keyboard-typed characters and does not allow you to send/receive/verify ascii, hex or binary character-values and does not allow optional use of Carriage Return or LineFeed.

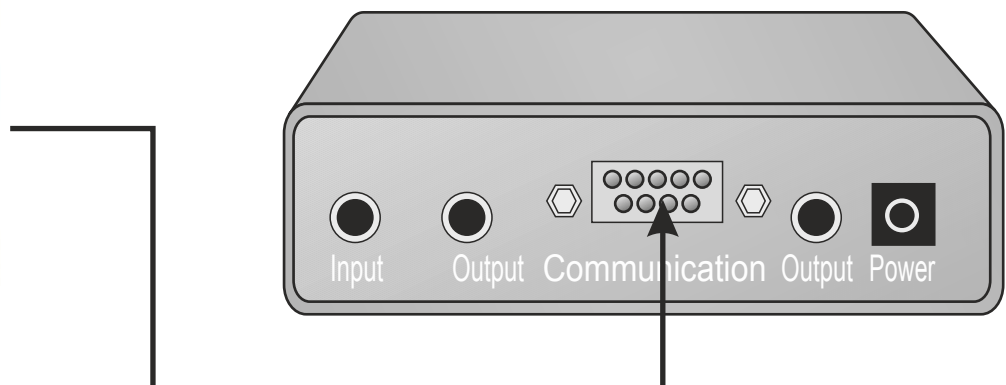
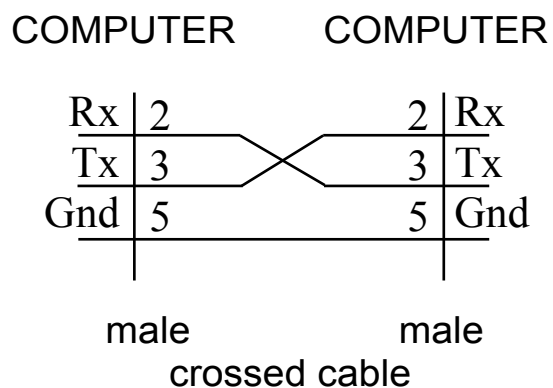
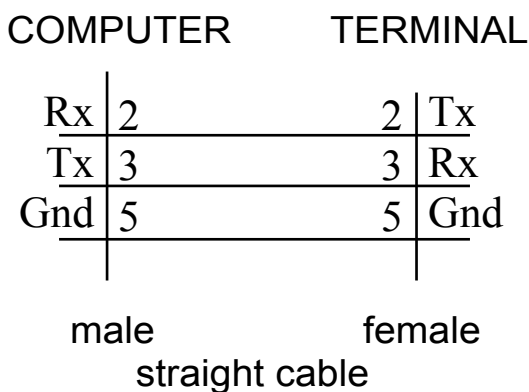
With DataSampler you can test/confirm commands for projectors, light systems - or any other product using RS232.

Connect the computer to the product you want to test/verify

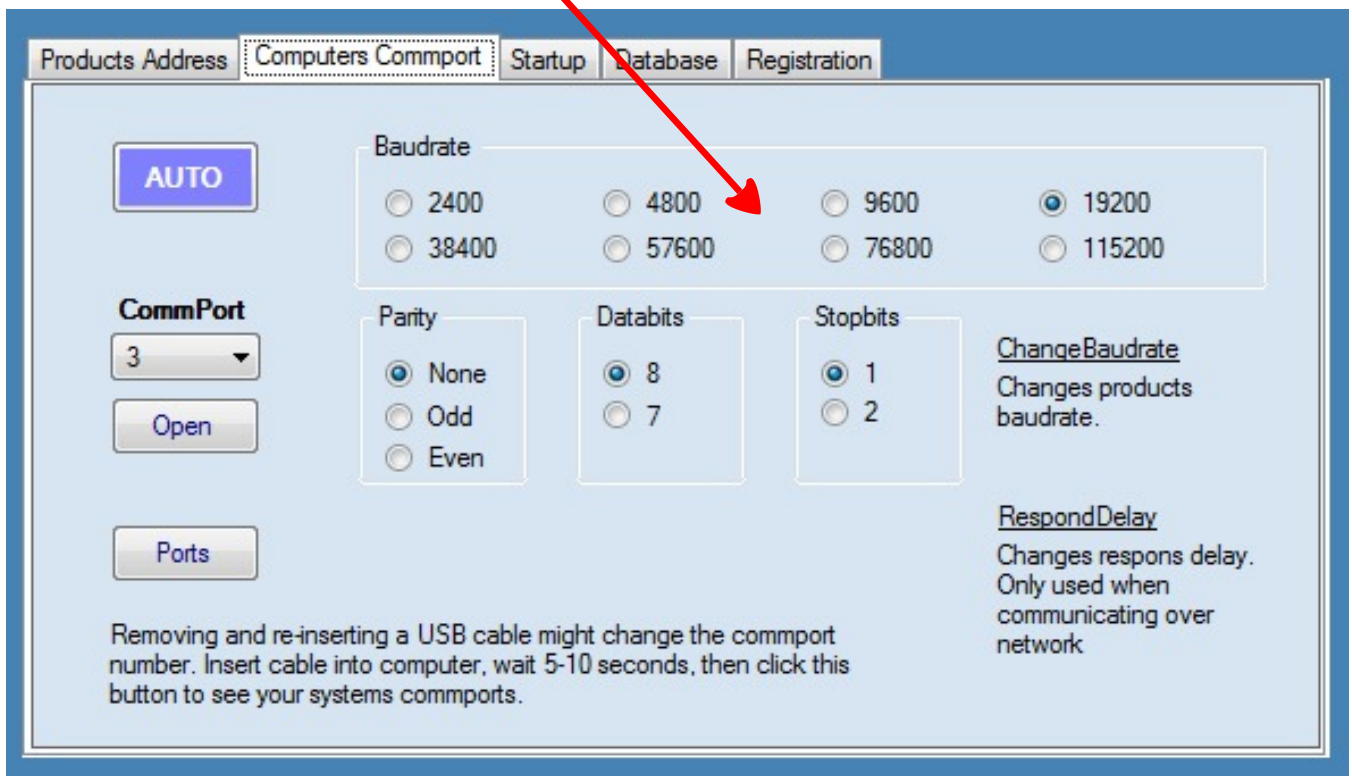
Please observe correct cabling - always connect Rx to Tx

- Male to Female connectors - normally requires a straight a cable.
- Male to Male connectors - normally requires a crossed cable
- Female to Female connectors - normally requires a crossed cable

Two typical situations below:



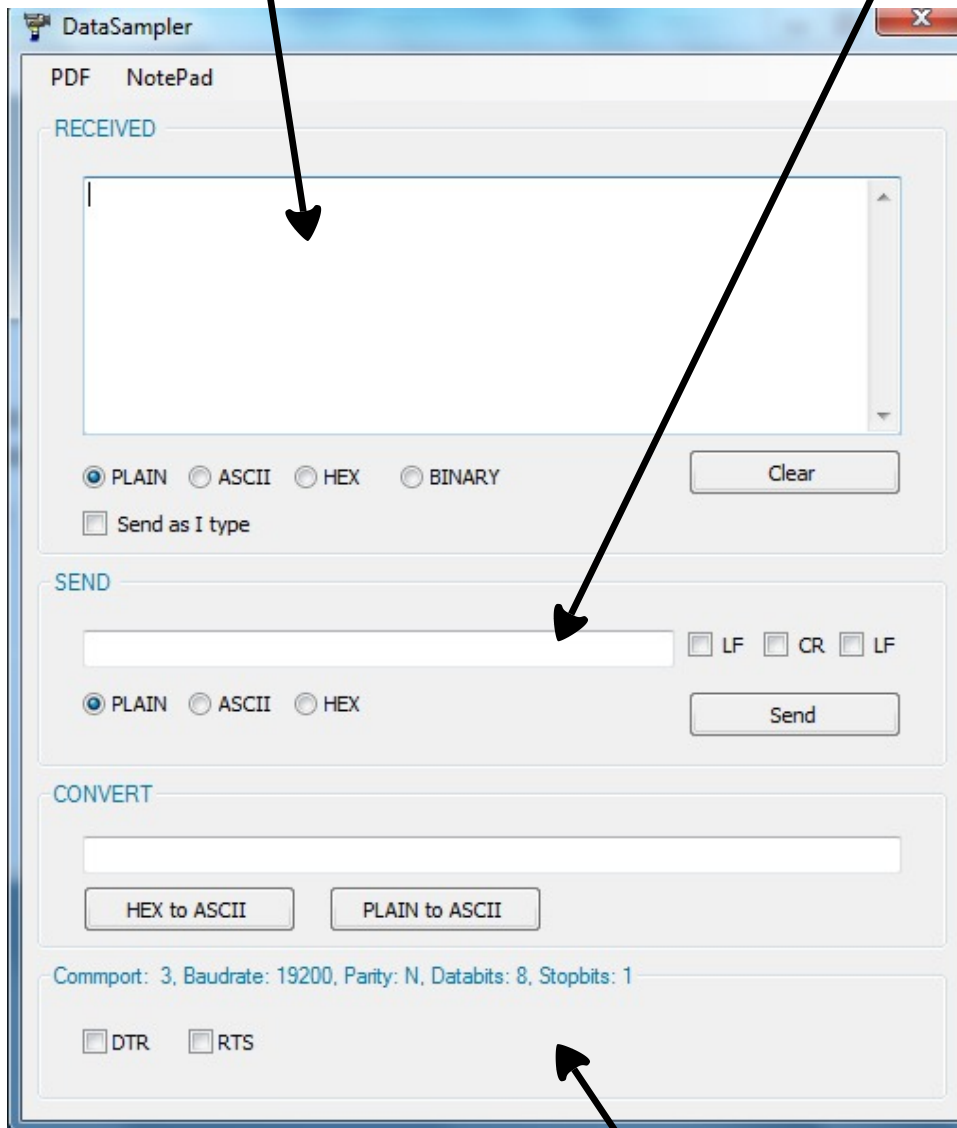
ADJUST BAUDRATE ETC



DataSampler

RECEIVED TEXT

SEND TEXT



ADJUST BAUDRATE ETC

INTRODUCTION

All characters have a numerical representation between 0 and 255.

This numerical representation can be shown as decimal (also called ASCII) or HEX.

Familiarize yourself with web-site: <http://www.asciitable.com/>

Some characters are visible (plain text keyboard typed characters) - and some are invisible (control characters). An invisible character is for example Carriage Return (char 13) or LineFeed (char 10).

Plain text character A has decimal value 65 = hex value 41.

This means that A, char 65 (decimal) and hex char 0x41 - is exactly the same.

If you enter text to be transmitted from the keyboard, you can only send visible characters.

If you want to be able to send all 0-255 characters - both visible and invisible - then enter the number for the character and check the ASCII or HEX box to let the program know what format you are using.

IMPORTANT

In the DataSampler you must specify how you want to receive or send the characters, in order for the DataSampler to show or send the correct characters.

When sending ASCII or HEX - check the right box.

Send TEST as plain text, enter: TEST

Send TEST as ASCII values, enter: <084><069><083><084>

Send TEST as HEX values, enter: <054><045><053><054>

TEST

Apply power to the TT455-RT- 38 and you will receive something like:

Plain text	^<0001010082>
ASCII	<094><060><048><048><048><049><048><049><048><048><056><050><062>
HEX	<5E><3C><30><30><30><31><30><31><30><30><38><32><3E>

HEX

When you read a manual for f.ex a projector, then typically all characters are listed in hex format.

You will find formats like: 0x65 - x65 - 65x

LINEFEED (LF) / CARRIAGE RETURN (CR)

If you want to add LF, LFCR, CR or CRLF to the command to be tested, then check the boxes as required.